

Indexing Plungers

Steel / Stainless Steel, with Flange for Surface Mounting, with or without Rest Position, with Pull Ring or Latch

SPECIFICATION

Types

- Type **A**: With pull ring, without rest position
- Type **C**: With pull ring, with rest position
- Type **E**: With latch, with rest position

Guide

Steel precision casting

- Zinc plated, blue passivated **ZB**
- Zinc plated and powder coated
Black, RAL 9005, textured finish **SW**

Guide

Stainless steel precision casting AISI 316 **A4**

Pull ring

- Steel precision casting
Zinc plated, blue passivated (ZB and SW)
- Steel precision casting AISI 316 (for A4)

Latch

- Steel precision casting
Zinc plated, blue passivated (ZB and SW)
- Steel precision casting AISI 316 (for A4)

Plunger Pin

- Steel precision casting
Steel, zinc plated, blue passivated (ZB and SW)
- Stainless steel AISI 316 (for A4)

Grub Screw DIN 915 (Type A)

- Steel, zinc plated (for ZB and SW)
- Stainless steel (for A4)

Pressure spring

Stainless steel AISI 316Ti

INFORMATION

With indexing plungers GN 722.6, the plunger pin is actuated via the pull ring / latch. This is done either manually, with a cable or by means of an extended pull rod with hook. The **ST** version is designed for applications in steel construction, whereas the stainless steel version **A4** is suitable for use in particularly aggressive environments.

The type with rest position is used when the plunger pin should temporarily not protrude. For this purpose, the pull ring is turned sideways after the locking pin has been retracted. The ring is held in this position by the catch groove at the top of the guide.

The dimensional tolerances between the pin and the guide have been chosen to ensure functional reliability even in roughly dimensioned applications or in the event of soiling.

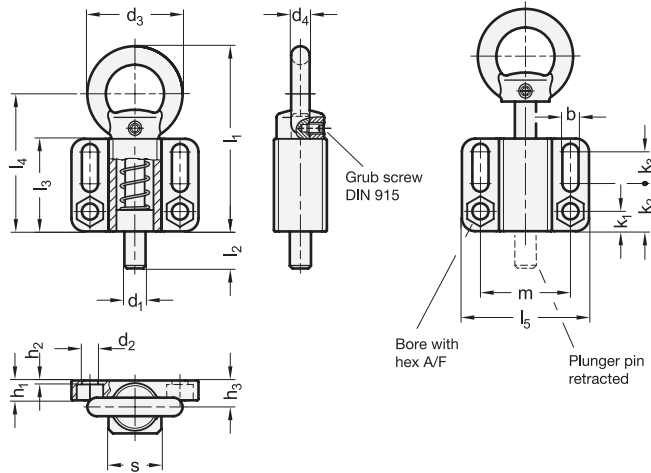
For fastening, slotted or hexagonal mounting holes allow the use of socket cap screws DIN 912 and hex screws or nuts according to DIN 931 or DIN 934.

- Range of Indexing Plungers (see page 816)

TECHNICAL INFORMATION

- Load Rating Information (see page A42)
- Stainless Steel Characteristics (see page A26)



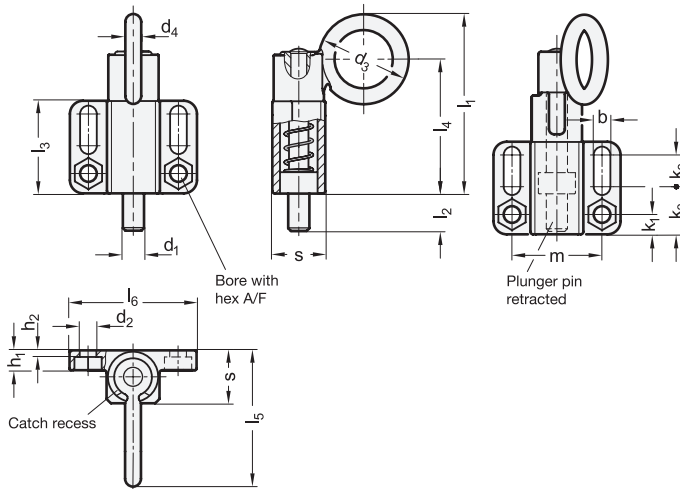


* Complete with
SW Black, RAL 9005
ZB Zinc plated

GN 722.6-A-ST

Description	d1 Pin -0.05/-0.25 Bore +0.1/+0.3	s	b	d2 +0.3	d3	d4	h1	h2	h3	k1	k2	k3	l1 ≈	l2	l3	l4	l5	m	A/F	Spring load in N ≈ initial	Spring load in N ≈ end	⚖
GN 722.6-8-20-A-*	8	20	6.1	6.1	36	7	7.5	1.5	10	7.5	18	12	70	14	35	52	48	34	10	14	35	179
GN 722.6-10-20-A-*	10	20	6.1	6.1	36	7	7.5	1.5	10	7.5	18	12	70	14	35	52	48	34	10	14	35	186
GN 722.6-12-20-A-*	12	20	6.1	6.1	36	7	7.5	1.5	10	7.5	18	12	70	14	35	52	48	34	10	14	35	188
GN 722.6-14-20-A-*	14	20	6.1	6.1	36	7	7.5	1.5	10	7.5	18	12	70	14	35	52	48	34	10	14	35	191
GN 722.6-16-30-A-*	16	30	10.1	10.1	50	10	15	5	15	14	34	10	103	20	54	78	80	55	17	22	70	802
GN 722.6-20-30-A-*	20	30	10.1	10.1	50	10	15	5	15	14	34	10	103	20	54	78	80	55	17	22	70	820

Weight SW



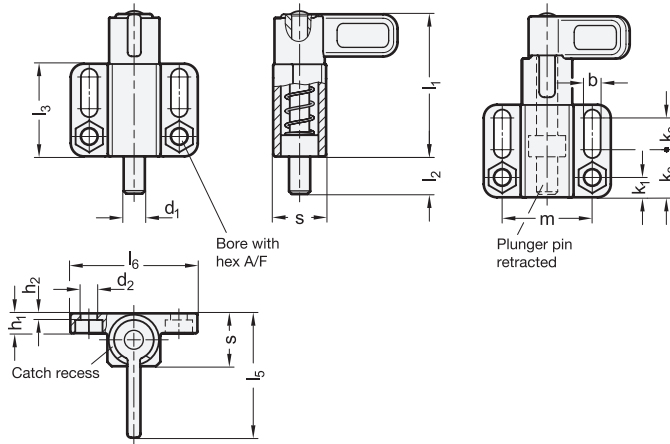
* Complete with
SW Black, RAL 9005
ZB Zinc plated

GN 722.6-C-ST

Description	d1 Pin -0.05/-0.25 Bore +0.1/+0.3	s	b	d2 +0.3	d3	d4	h1	h2	k1	k2	k3	l1 ≈	l2	l3	l4	l5	l6	m	A/F	Spring load in N ≈ initial	Spring load in N ≈ end	⚖
GN 722.6-8-20-C-*	8	20	6.1	6.1	34	6	7.5	1.5	7.5	18	12	68	14	35	51	41.5	48	34	10	14	35	180
GN 722.6-10-20-C-*	10	20	6.1	6.1	34	6	7.5	1.5	7.5	18	12	68	14	35	51	41.5	48	34	10	14	35	182
GN 722.6-12-20-C-*	12	20	6.1	6.1	34	6	7.5	1.5	7.5	18	12	68	14	35	51	41.5	48	34	10	14	35	184
GN 722.6-14-20-C-*	14	20	6.1	6.1	34	6	7.5	1.5	7.5	18	12	68	14	35	51	41.5	48	34	10	14	35	186
GN 722.6-16-30-C-*	16	30	10.1	10.1	48	9	15	5	14	34	10	102	20	54	78	60	80	55	17	22	70	755
GN 722.6-20-30-C-*	20	30	10.1	10.1	48	9	15	5	14	34	10	102	20	54	78	60	80	55	17	22	70	765

Weight SW





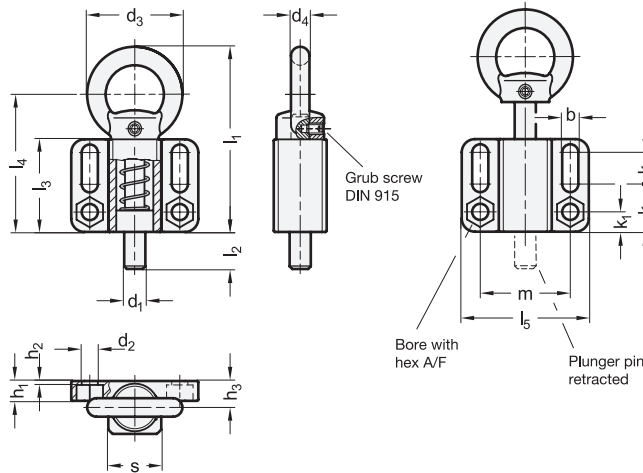
* Complete with

SW Black, RAL 9005 ZB Zinc plated

GN 722.6-E-ST

Description	d1 Pin -0.05/-0.25 Bore +0.1/+0.3	s	b +0.3	d2 +0.3	h1	h2	k1	k2	k3	l1 ≈	l2	l3	l5	l6	m	A/F	Spring load in N ≈ initial	Spring load in N ≈ end	⚖
GN 722.6-8-20-E-*	8	20	6.1	6.1	7.5	1.5	7.5	18	12	54	14	35	37	48	34	10	14	35	179
GN 722.6-10-20-E-*	10	20	6.1	6.1	7.5	1.5	7.5	18	12	54	14	35	37	48	34	10	14	35	182
GN 722.6-12-20-E-*	12	20	6.1	6.1	7.5	1.5	7.5	18	12	54	14	35	37	48	34	10	14	35	186
GN 722.6-14-20-E-*	14	20	6.1	6.1	7.5	1.5	7.5	18	12	54	14	35	37	48	34	10	14	35	191
GN 722.6-16-30-E-*	16	30	10.1	10.1	15	5	14	34	10	83	20	54	55	80	55	17	22	70	755
GN 722.6-20-30-E-*	20	30	10.1	10.1	15	5	14	34	10	83	20	54	55	80	55	17	22	70	772

Weight SW

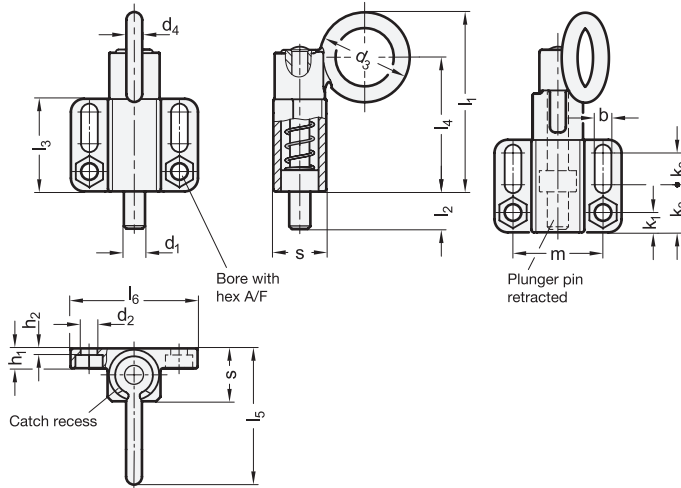


GN 722.6-A-A4

STAINLESS STEEL

Description	d1 Pin -0.05/-0.25 Bore +0.1/+0.3	s	b +0.3	d2 +0.3	d3	d4	h1	h2	h3	k1	k2	k3	l1 ≈	l2	l3	l4	l5	m	A/F	Spring load in N ≈ initial	Spring load in N ≈ end	⚖
GN 722.6-8-20-A-A4	8	20	6.1	6.1	36	7	7.5	1.5	10	7.5	18	12	70	14	35	52	48	34	10	14	35	179
GN 722.6-10-20-A-A4	10	20	6.1	6.1	36	7	7.5	1.5	10	7.5	18	12	70	14	35	52	48	34	10	14	35	186
GN 722.6-12-20-A-A4	12	20	6.1	6.1	36	7	7.5	1.5	10	7.5	18	12	70	14	35	52	48	34	10	14	35	188
GN 722.6-14-20-A-A4	14	30	10.1	6.1	36	7	7.5	1.5	10	7.5	18	12	70	14	35	52	48	34	10	14	35	191
GN 722.6-16-30-A-A4	16	30	10.1	10.1	50	10	15	5	15	14	34	10	103	20	54	78	80	55	17	22	70	802
GN 722.6-20-30-A-A4	20	20	6.1	10.1	50	10	15	5	15	14	34	10	103	20	54	78	80	55	17	22	70	820

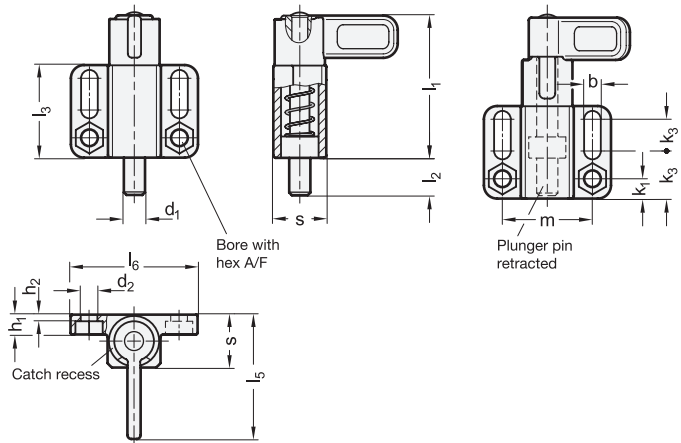




GN 722.6-C-A4

STAINLESS STEEL

Description	d1 Pin -0.05/-0.25 Bore +0.1/+0.3	s	b +0.3	d2 +0.3	d3	d4	h1	h2	k1	k2	k3	l1 ≈	l2	l3	l4	l5	l6	m	A/F	Spring load	Spring load	⚖
																				in N ≈ initial	in N ≈ end	
GN 722.6-8-20-C-A4	8	20	6.1	6.1	34	6	7.5	1.5	7.5	18	12	68	14	35	51	41.5	48	34	10	14	35	182
GN 722.6-10-20-C-A4	10	20	6.1	6.1	34	6	7.5	1.5	7.5	18	12	68	14	35	51	41.5	48	34	10	14	35	184
GN 722.6-12-20-C-A4	12	20	6.1	6.1	34	6	7.5	1.5	7.5	18	12	68	14	35	51	41.5	48	34	10	14	35	186
GN 722.6-14-20-C-A4	14	30	10.1	6.1	34	6	7.5	1.5	7.5	18	12	68	14	35	51	41.5	48	34	10	14	35	191
GN 722.6-16-30-C-A4	16	30	10.1	10.1	48	9	15	5	14	34	10	102	20	54	78	60	80	55	17	22	70	755
GN 722.6-20-30-C-A4	20	20	6.1	10.1	48	9	15	5	14	34	10	102	20	54	78	60	80	55	17	22	70	765



GN 722.6-E-A4

STAINLESS STEEL

Description	d1 Pin -0.05/-0.25 Bore +0.1/+0.3	s	b +0.3	d2 +0.3	h1	h2	k1	k2	k3	l1 ≈	l2	l3	l5	l6	m	A/F	Spring load	Spring load	⚖
																	in N ≈ initial	in N ≈ end	
GN 722.6-8-20-E-A4	8	20	6.1	6.1	7.5	1.5	7.5	18	12	54	14	35	37	48	34	10	14	35	180
GN 722.6-10-20-E-A4	10	20	6.1	6.1	7.5	1.5	7.5	18	12	54	14	35	37	48	34	10	14	35	183
GN 722.6-12-20-E-A4	12	20	6.1	6.1	7.5	1.5	7.5	18	12	54	14	35	37	48	34	10	14	35	187
GN 722.6-14-20-E-A4	14	30	10.1	6.1	7.5	1.5	7.5	18	12	54	14	35	37	48	34	10	14	35	191
GN 722.6-16-30-E-A4	16	30	10.1	10.1	14	5	14	34	10	83	20	54	55	80	55	17	22	70	756
GN 722.6-20-30-E-A4	20	30	10.1	10.1	14	5	14	34	10	83	20	54	55	80	55	17	22	70	774